



3-IN-1 TAP HAND DRYER
2-IN-1 TAP HAND DRYER
SOAP DISPENSER
HAND DRYER
HAND SANITIZER
BABY CHANGING STATION



Contact Details:
WeChat: BURIRO-LIGEN
WhatsApp: +86 13362723903
Email: ligenwenzhou@outlook.com

WENZHOU LIGEN INTELLIGENT TECHNOLOGY CO., LTD.
NO.187,Binhai 4th Road, Xinghai Subdistrict, Longwan District,
Wenzhou City, Zhejiang Province

Copyright © LIGEN INTELLIGENT TECHNOLOGY COMPANY



[HTTPS:WWW.TAPHANDDRYER.COM](https://www.taphanddryer.com)
[HTTPS://WWW.LIGENZHINENG.COM](https://www.ligenzhineng.com)
WENZHOU LIGEN INTELLIGENT TECHNOLOGY CO., LTD.



SMART TECH, LEADING THE FUTURE



ABOUT LIGEN

INTELLIGENT TECHNOLOGY,
LEADING THE FUTURE WISELY.



Ligen Intelligent Technology Co., Ltd. is a provider and manufacturer of integrated solutions for "handwashing, hand drying, and disinfection." The founding team of Ligen has decades of experience in designing and developing top-tier hand dryer products in China, and has led the development of several popular hand dryer products nationwide. Driven by the vision of "making handwashing more comfortable and simpler," Ligen Intelligent Technology Co., Ltd. was founded with the indomitable and resolute spirit of bamboo, as described in Zheng Banqiao's poem.

Ligen currently manufactures the following products: 2-in-1 hand dryer faucets; 3-in-1 hand dryer faucets; hand dryer series; soap dispenser series; hand sanitizer series; and baby changing table series. We adhere to a people-oriented approach to technology, focusing on innovation and quality, continuously innovating and improving our products and services. We advocate a pragmatic and persevering spirit, persisting in doing every task and every product well, enduring loneliness and focusing on the ordinary, creating one heartwarming product after another with unwavering determination.



Patent Certificate





Our products have been exported to over 30 countries and regions!

SMART TECH, LEADING THE FUTURE



FOREIGN SALES AND TRADE MANAGER

Mr. Buriro Ghous Bakhsh

Looking for reliable, energy-efficient, and smart sanitary solutions? Let's connect!







Contact Details:

WeChat: BURIRO-LIGEN

WhatsApp: +86 13362723903

Email: ligenwenzhou@outlook.com

INDEX

	3-IN-1 TAP HAND DRYER	7-22
	2-IN-1 TAP HAND DRYER	23-32
	SOAP DISPENSER	33-36
	HAND DRYER	37
	HAND SANITIZER	38
	BABY CHANGING STATION	38

3-IN-1 TAP HAND DRYER

The 3-in-1 tap hand dryer integrates soap liquid, water outlet, and hand drying functions into one solution. You can complete the soap dispensing, hand washing, and hand drying steps without moving your steps. All steps are done in the sink without dirtying the floor, improving the experience and efficiency.

INTELLIGENT TECHNOLOGY,
LEADING THE FUTURE WISELY.



LGT301A

3-IN-1 TAP HAND DRYER

2026 new product
UV-LED+HEPA filter

09



LGT301A

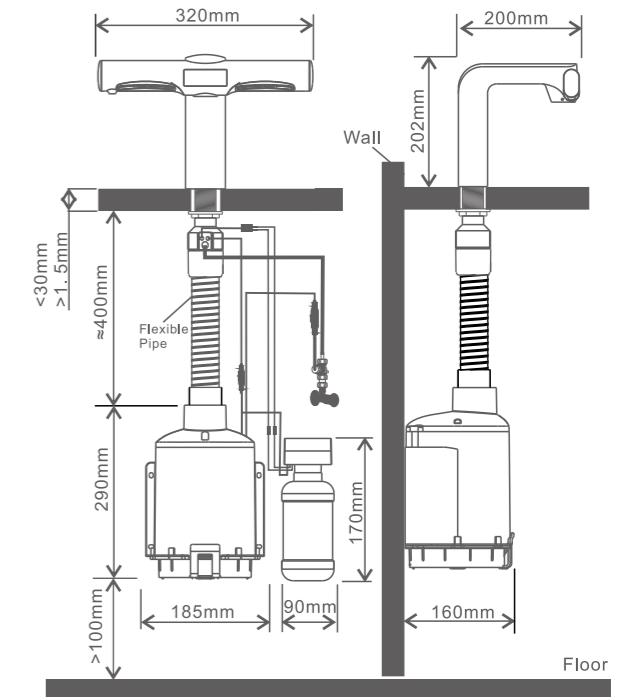
3-IN-1 TAP HAND DRYER



Chrome plated

Model	Faucet Material	Inner Carton Dimensions(1piece)
LGT301A	Copper	43.5X37X31.5(cm)
N.W	G.W	Outer Carton Dimensions(2piece)
16kg	17kg	45.5X39X67.5(cm)

Brushed AC motor/brushless DC motor optional
Brushed AC motor: high cost-effectiveness.
Brushless DC motor: long lifespan and low noise.



Technical Parameter

- Input Power:220-240VAC/110V,50/60Hz
- Total Power(220-240V~):1800W(BM) /1400W (BLDC)
- Total Power(110-120V~):1600W
- Operating Temperature Range:5-40°C
- Environment Humidity:≤80%
- Sensing Distance:3-12cm
- Air Speed:100m/s
- Drying Time:10-15s
- Max Drying Time:60s
- Motor:Brushed AC motor/Brushless DC motor
- Starting System: Infrared Induction
- Unfitted Sink: Highly polished surfaces (This may cause self-induction)
- Operating Temperature Range:1-55°C
- Max Water Outlet Time:60s
- Inlet Connection:G1 /2"
- Water Pressure Required:1-8 bar
- Opening Hole Diameter: ϕ 35mm
- Min Sink Depth:100mm
- Tap Dimensions:320WX202HX200D(mm)
- Host dimensions:185WX290HX160D(mm)
- Max Altitude:2000m
- Mounting: Deck Mounted

10

LGT302A

3-IN-1 TAP HAND DRYER

HOT

11



LGT302A

3-IN-1 TAP HAND DRYER

Model	Faucet Material	Inner Carton Dimensions(1piece)	Outer Carton Dimensions(2piece)	N.W	G.W
LGT302A	Copper/SS304	41.5X35.5X24(cm)	44X38X52.5(cm)	12kg	13kg



Note: Ss304 Customizable colors:
gun gray/brushed gold/black/red



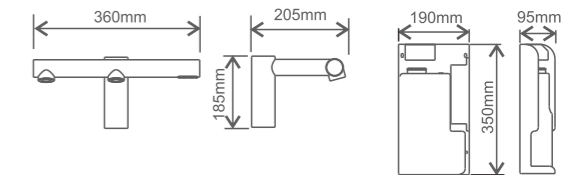
hand soap+hand wash+hand dryer
ONE STOP SOLUTION



Automatically adjust the outlet
air temperature to achieve
energy-saving and comfortable
hand drying



The heart of tap hand dryer - high-speed
brushless motor, using all copper coils
and optimized air duct design, with strong
power, can provide ultra-high speed of
100000 RPM, and the hand drying effect
is impressive!



Technical Parameter

- Input Power:220-240VAC/110V,50/60Hz
- Total Power:600W
- Operating Temperature Range:5-40°C
- Environment Humidity:≤80%
- Sensing Distance:3-12cm
- Air Speed:80m/s
- Drying Time:10-15s
- Max Drying Time:60s
- Motor:Digital Brushless DC Motor
- Starting System: Infrared Induction
- Unfitted Sink: Highly polished surfaces (This may cause self-induction)

- Operating Temperature Range:1-55°C
- Max Water Outlet Time:60s
- Inlet Connection:G1 /2"
- Water Pressure Required:1-8bar
- Opening Hole Diameter: φ 35mm
- Min Sink Depth:100mm
- Tap Dimensions:360WX185HX205D(mm)
- Host dimensions:190WX350HX95D(mm)
- Max Altitude:2000m
- Mounting: Deck Mounted

12

LGT302B

3-IN-1 TAP HAND DRYER

13



LGT302B

3-IN-1 TAP HAND DRYER

14

Model	Faucet Material	Inner Carton Dimensions(1piece)	Outer Carton Dimensions(2piece)	N.W	G.W
LGT302B	Copper/SS304	50X40X24.5(cm)	52.5X42.5X53(cm)	12.5kg	13.5kg



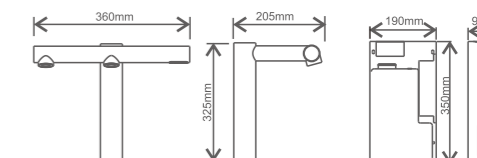
Note: Ss304 Customizable colors: gun gray/brushed gold/black/red



Automatically adjust the outlet air temperature to achieve energy-saving and comfortable hand drying



The heart of tap hand dryer - high-speed brushless motor, using all copper coils and optimized air duct design, with strong power, can provide ultra-high speed of 100000 RPM, and the hand drying effect is impressive!



Technical Parameter

- Input Power:220-240VAC/110V,50/60Hz
- Total Power:600W
- Operating Temperature Range:5-40°C
- Environment Humidity:≤ 80%
- Sensing Distance:3-12cm
- Air Speed:80m/s
- Drying Time:10-15s
- Max Drying Time:60s
- Motor:Digital Brushless DC Motor
- Starting System: Infrared Induction
- Unfitted Sink: Highly polished surfaces (This may cause self-induction)

- Operating Temperature Range:1-55°C
- Max Water Outlet Time:60s
- Inlet Connection:G1 /2"
- Water Pressure Required:1-8bar
- Opening Hole Diameter: φ 35mm
- Min Sink Depth:100mm
- Tap Dimersions:360WX325HX205D(mm)
- Host dimersions:190WX350HX95D(mm)
- Max Altitude:2000m
- Mounting: Deck Mounted

LGT302C

3-IN-1 TAP HAND DRYER

Wall-mounted
3-in-1 tap hand dryer

15

LGT302C

3-IN-1 TAP HAND DRYER

Model	Faucet Material	Inner Carton Dimensions(1piece)	Outer Carton Dimensions(2piece)	N.W	G.W
LGT302C	Copper/SS304	41.5X35.5X24(cm)	44X38X52.5(cm)	12kg	13kg



Copper material: Chrome plated



SS304 material: brushed

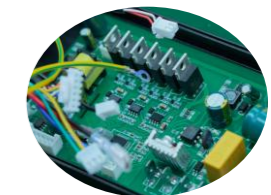


Note: Ss304 Customizable colors: gun gray/brushed gold/red



The wall-mounted 3in1 faucet does not occupy countertop space, keeping the countertop cleaner and more convenient to maintain.

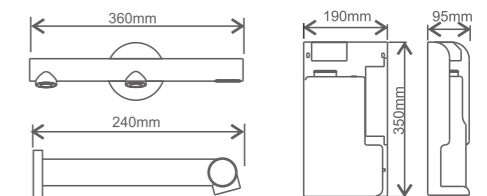
Because the water and air pipes are pre embedded in the wall, there are no messy pipes and wires on the outside, which is very neat and beautiful. In addition, this wall mounted faucet features a minimalist design.



Automatically adjust the outlet air temperature to achieve energy-saving and comfortable hand drying



The heart of tap hand dryer - high-speed brushless motor, using all copper coils and optimized air duct design, with strong power, can provide ultra-high speed of 100000 RPM, and the hand drying effect is impressive!



Technical Parameter

- Input Power:220-240VAC/110V,50/60Hz
- Total Power:600W
- Operating Temperature Range:5-40°C
- Environment Humidity: ≤ 80%
- Sensing Distance:3-12cm
- Air Speed:80m/s
- Drying Time:10-15s
- Max Drying Time:60s
- Motor:Digital Brushless DC Motor
- Starting System: Infrared Induction
- Unfitted Sink: Highly polished surfaces (This may cause self-induction)
- Operating Temperature Range:1-55°C
- Max Water Outlet Time:60s
- Inlet Connection:G1 /2"
- Water Pressure Required:1-8bar
- Opening Hole Diameter: φ 35mm
- Min Sink Depth:100mm
- Tap Dimersions:360WX80HX240D(mm)
- Host dimersions:190WX350HX95D(mm)
- Max Altitude:2000m
- Mounting: Wall Mounted

LGT303A

3-IN-1 TAP HAND DRYER

HOT

17



LGT303A

3-IN-1 TAP HAND DRYER

18

Model	Faucet Material	Inner Carton Dimensions(1piece)	Outer Carton Dimensions(2piece)	N.W	G.W
LGT303A	SS304	41.5X35.5X24(cm)	44X38X52.5(cm)	12kg	13kg



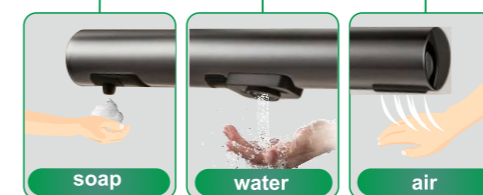
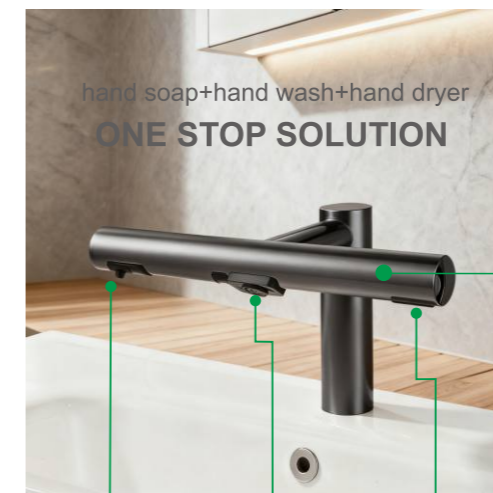
Chrome plated

Brushed

Brushed gold
(Customizable colors)

Gun gray
(Customizable colors)

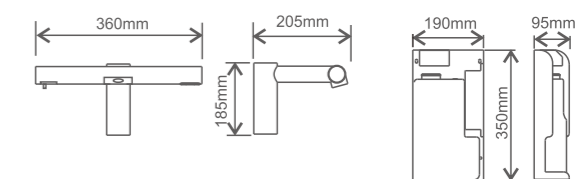
Red
(Customizable colors)



Automatically adjust the outlet air temperature to achieve energy-saving and comfortable hand drying



The heart of tap hand dryer - high-speed brushless motor, using all copper coils and optimized air duct design, with strong power, can provide ultra-high speed of 100000 RPM, and the hand drying effect is impressive!



Technical Parameter

- Input Power:220-240VAC/110V,50/60Hz
- Total Power:600W
- Operating Temperature Range:5-40°C
- Environment Humidity:≤ 80%
- Sensing Distance:3-12cm
- Air Speed:80m/s
- Drying Time:10-15s
- Max Drying Time:60s
- Motor:Digital Brushless DC Motor
- Starting System: Infrared Induction
- Unfitted Sink: Highly polished surfaces (This may cause self-induction)

- Operating Temperature Range:1-55°C
- Max Water Outlet Time:60s
- Inlet Connection:G1 /2"
- Water Pressure Required:1-8bar
- Opening Hole Diameter: φ 35mm
- Min Sink Depth:100mm
- Tap Dimersions:360WX185HX205D(mm)
- Host dimersions:190WX350HX95D(mm)
- Max Altitude:2000m
- Mounting: Deck Mounted

LGT303B

3-IN-1 TAP HAND DRYER

HOT

19

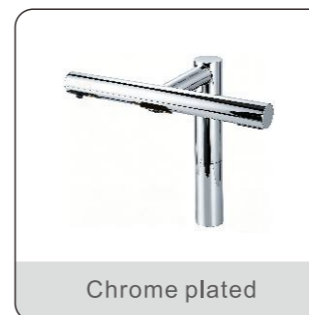


LGT303B

3-IN-1 TAP HAND DRYER

20

Model	Faucet Material	Inner Carton Dimensions(1piece)	Outer Carton Dimensions(2piece)	N.W	G.W
LGT303B	SS304	50X40X24.5(cm)	52.5X42.5X53(cm)	12.5kg	13.5kg



Note: Ss304 Customizable colors: gun gray/brushed gold/black/red



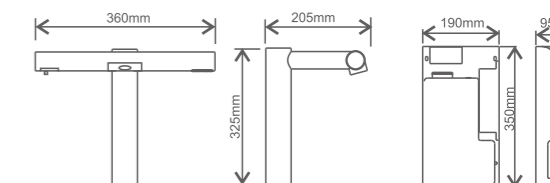
hand soap+hand wash+hand dryer
ONE STOP SOLUTION



Automatically adjust the outlet air temperature to achieve energy-saving and comfortable hand drying



The heart of tap hand dryer - high-speed brushless motor, using all copper coils and optimized air duct design, with strong power, can provide ultra-high speed of 100000 RPM, and the hand drying effect is impressive!



Technical Parameter

- Input Power:220-240VAC/110V,50/60Hz
- Total Power:600W
- Operating Temperature Range:5-40°C
- Environment Humidity: ≤ 80%
- Sensing Distance:3-12cm
- Air Speed:80m/s
- Drying Time:10-15s
- Max Drying Time:60s
- Motor:Digital Brushless DC Motor
- Starting System: Infrared Induction
- Unfitted Sink: Highly polished surfaces (This may cause self-induction)

- Operating Temperature Range:1-55°C
- Max Water Outlet Time:60s
- Inlet Connection:G1 /2"
- Water Pressure Required:1-8bar
- Opening Hole Diameter: φ 35mm
- Min Sink Depth:100mm
- Tap Dimersions:360WX325HX205D(mm)
- Host dimersions:190WX350HX95D(mm)
- Max Altitude:2000m
- Mounting: Deck Mounted

LGT303C

3-IN-1 TAP HAND DRYER

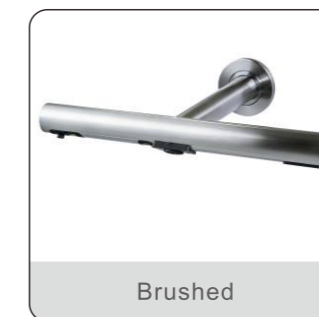
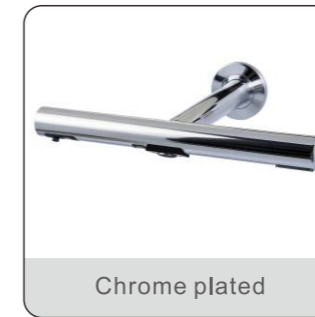
Wall-mounted
3-in-1 tap hand dryer



LGT303C

3-IN-1 TAP HAND DRYER

Model	Faucet Material	Inner Carton Dimensions(1piece)	Outer Carton Dimensions(2piece)	N.W	G.W
LGT303C	SS304	41.5X35.5X24(cm)	44X38X52.5(cm)	12kg	13kg



Note: Customizable colors:
gun gray/brushed gold/red



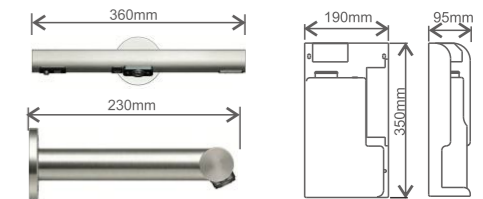
Automatically adjust the outlet air temperature to achieve energy-saving and comfortable hand drying



The heart of tap hand dryer - high-speed brushless motor, using all copper coils and optimized air duct design, with strong power, can provide ultra-high speed of 100000 RPM, and the hand drying effect is impressive!

The wall-mounted 3in1 faucet does not occupy countertop space, keeping the countertop cleaner and more convenient to maintain.

Because the water and air pipes are pre embedded in the wall, there are no messy pipes and wires on the outside, which is very neat and beautiful. In addition, this wall mounted faucet features a minimalist design.



Technical Parameter

- Input Power:220-240VAC/110V,50/60Hz
- Total Power:600W
- Operating Temperature Range:5-40°C
- Environment Humidity:≤ 80%
- Sensing Distance:3-12cm
- Air Speed:80m/s
- Drying Time:10-15s
- Max Drying Time:60s
- Motor:Digital Brushless DC Motor
- Starting System: Infrared Induction
- Unfitted Sink: Highly polished surfaces (This may cause self-induction)
- Operating Temperature Range:1-55°C
- Max Water Outlet Time:60s
- Inlet Connection:G1 /2"
- Water Pressure Required:1-8bar
- Opening Hole Diameter: φ 35mm
- Min Sink Depth:100mm
- Tap Dimersions:360WX80HX230D(mm)
- Host dimersions:190WX350HX95D(mm)
- Max Altitude:2000m
- Mounting: Wall Mounted

2-IN-1 TAP HAND DRYER

23



The 2 in 1 tap hand dryer integrates water outlet, and hand drying functions into one solution. You can complete hand washing, and hand drying steps without moving your steps. All steps are done in the sink without dirtying the floor, improving the experience and efficiency.

24



LGT204A

2-IN-1 TAP HAND DRYER

25



LGT204A

2-IN-1 TAP HAND DRYER

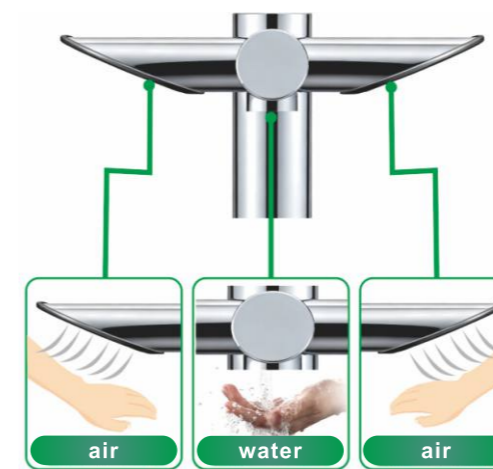
26



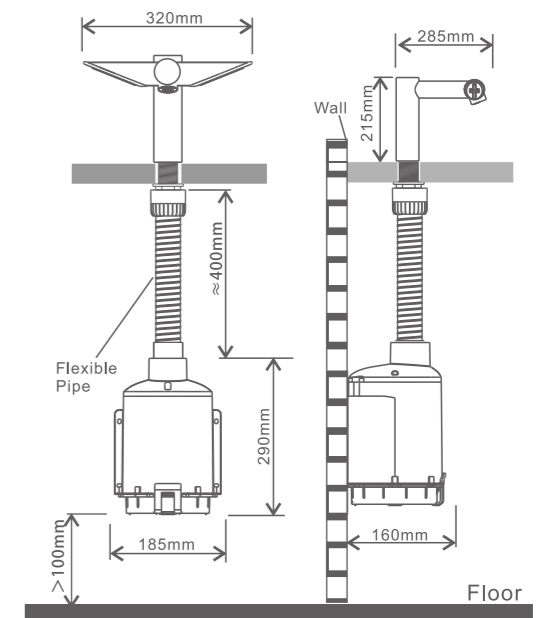
Copper material: Chrome plated

Model	Faucet Material	Inner Carton Dimensions(1piece)
LGT204A	Copper	43.5X37X31.5(cm)
N.W	G.W	Outer Carton Dimensions(2piece)
13kg	14kg	45.5X39X67.5(cm)

Brushed AC motor/brushless DC motor optional
 Brushed AC motor: high cost-effectiveness.
 Brushless DC motor: long lifespan and low noise.



Angled air outlets for superior hand drying comfort.



Technical Parameter

- Input Power:220-240VAC/110V,50/60Hz
- Total Power(220-240V~):1800W(BM) /1400W (BLDC)
- Total Power(110-120V~):1600W
- Operating Temperature Range:5-40°C
- Environment Humidity:≤80%
- Sensing Distance:3-12cm
- Air Speed:100m/s
- Drying Time:10-15s
- Max Drying Time:60s
- Motor:Brushed AC motor/Brushless DC motor
- Starting System: Infrared Induction
- Unfitted Sink: Highly polished surfaces (This may cause self-induction)
- Operating Temperature Range:1-55°C
- Max Water Outlet Time:60s
- Inlet Connection:G1 /2"
- Water Pressure Required:1-8 bar
- Opening Hole Diameter: φ 35mm
- Min Sink Depth:100mm
- Tap Dimensions:320WX215HX285D(mm)
- Host dimensions:185WX290HX160D(mm)
- Max Altitude:2000m
- Mounting: Deck Mounted

LGT205A

2-IN-1 TAP HAND DRYER

2-in-1 tap hand dryer



LGT205A

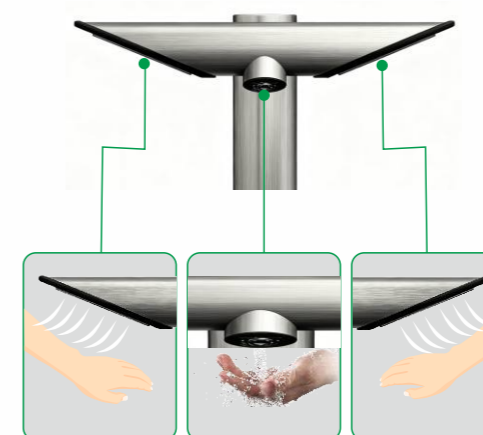
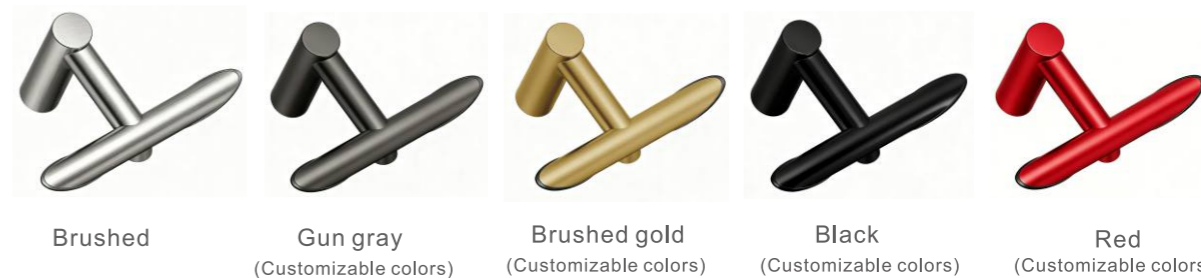
2-IN-1 TAP HAND DRYER

Model	Faucet Material	Inner Carton Dimensions(1piece)	Outer Carton Dimensions(2piece)	N.W	G.W
LGT205A	SS304	43.5X37X31.5(cm)	45.5X39X67.5(cm)	12kg	13kg

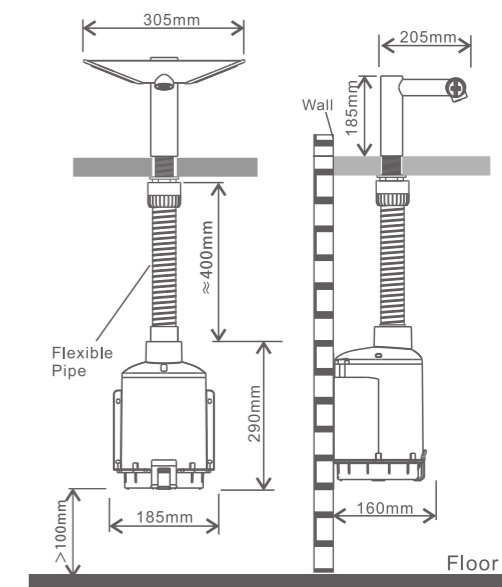
Brushed AC motor/brushless DC motor optional

Brushed AC motor: high cost-effectiveness.

Brushless DC motor: long lifespan and low noise.



Angled air outlets for superior hand drying comfort.



Technical Parameter

- Input Power:220-240VAC/110V,50/60Hz
- Total Power(220-240V~):1800W(BM) /1400W (BLDC)
- Total Power(110-120V~):1600W
- Operating Temperature Range:5-40°C
- Environment Humidity:≤80%
- Sensing Distance:3-12cm
- Air Speed:100m/s
- Drying Time:10-15s
- Max Drying Time:60s
- Motor:Brushed AC motor/Brushless DC motor
- Starting System: Infrared Induction
- Unfitted Sink: Highly polished surfaces (This may cause self-induction)
- Operating Temperature Range:1-55°C
- Max Water Outlet Time:60s
- Inlet Connection:G1 /2"
- Water Pressure Required:1-8 bar
- Opening Hole Diameter: φ35mm
- Min Sink Depth:100mm
- Tap Dimersions:305WX185HX205D(mm)
- Host dimersions:185WX290HX160D(mm)
- Max Altitude:2000m
- Mounting: Deck Mounted

2-in-1 tap hand dryer

Model	Faucet Material	Inner Carton Dimensions(1piece)	Outer Carton Dimensions(2piece)	N.W	G.W
LGT206A LGT207A	SS304	43.5X37X31.5(cm)	45.5X39X67.5(cm)	12kg	13kg

Brushed AC motor/brushless DC motor optional
 Brushed AC motor: high cost-effectiveness.
 Brushless DC motor: long lifespan and low noise.

29



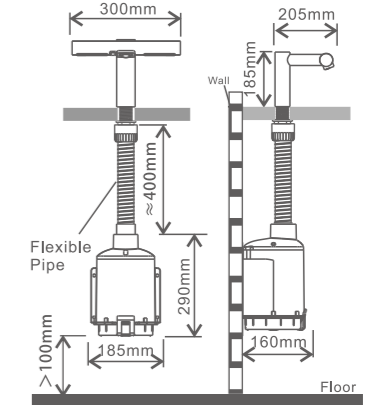
LGT206A

2-IN-1 TAP HAND DRYER



Chrome plated

Brushed



Customizable colors:

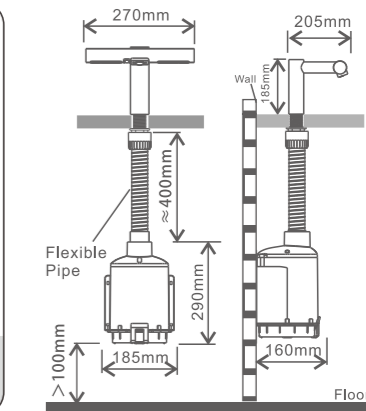


LGT207A



Chrome plated

Brushed



Customizable colors:



Technical Parameter

- Input Power:220-240VAC/110V,50/60Hz
- Total Power(220-240V~):1800W(BM) /1400W (BLDC)
- Total Power(110-120V~):1600W
- Operating Temperature Range:5-40°C
- Environment Humidity:<80%
- Sensing Distance:3-12cm
- Air Speed:100m/s
- Drying Time:10-15s
- Max Drying Time:60s
- Motor:Brushed AC motor/Brushless DC motor
- Starting System: Infrared Induction
- Unfitted Sink: Highly polished surfaces (This may cause self-induction)
- Operating Temperature Range:1-55°C
- Max Water Outlet Time:60s
- Inlet Connection:G1 /2"
- Water Pressure Required:1-8 bar
- Opening Hole Diameter: φ 35mm
- Min Sink Depth:100mm
- Tap Dimersions:300WX185HX205D(mm/LGT206A)
- Tap Dimersions:270WX185HX205D(mm/LGT207A)
- Host dimersions:185WX290HX160D(mm)
- Max Altitude:2000m
- Mounting: Deck Mounted

30

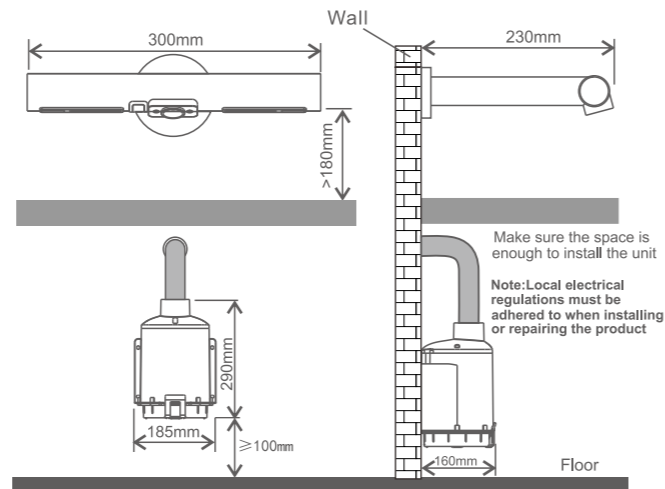
Model	Faucet Material	Inner Carton Dimensions(1piece)	Outer Carton Dimensions(2piece)	N.W	G.W
LGT206C LGT207C	SS304	43.5X37X31.5(cm)	45.5X39X67.5(cm)	12kg	13kg

LGT206C



Brushed

Brushed AC motor/brushless DC motor optional
Brushed AC motor: high cost-effectiveness.
Brushless DC motor: long lifespan and low noise.

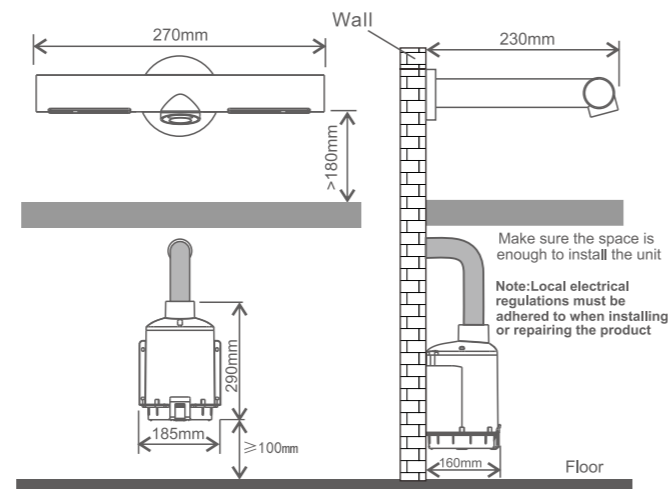


LGT207C



Brushed

Customizable colors:



Technical Parameter

- Input Power:220-240VAC/110V,50/60Hz
- Total Power(220-240V~):1800W(BM)/1400W (BLDC)
- Total Power(110-120V~):1600W
- Operating Temperature Range:5-40°C
- Environment Humidity:≤80%
- Sensing Distance:3-12cm
- Air Speed:100m/s
- Drying Time:10-15s
- Max Drying Time:60s
- Motor:Brushed AC motor/Brushless DC motor
- Starting System: Infrared Induction
- Unfitted Sink: Highly polished surfaces (This may cause self-induction)
- Operating Temperature Range:1-55°C
- Max Water Outlet Time:60s
- Inlet Connection:G1 /2"
- Water Pressure Required:1-8 bar
- Opening Hole Diameter: φ 35mm
- Min Sink Depth:100mm
- Tap Dimersions:300WX80HX205D(mm/LGT06C)
- Tap Dimersions:270WX80HX205D(mm/LGT07C)
- Host dimersions:185WX290HX160D(mm)
- Max Altitude:2000m
- Mounting: Deck Mounted

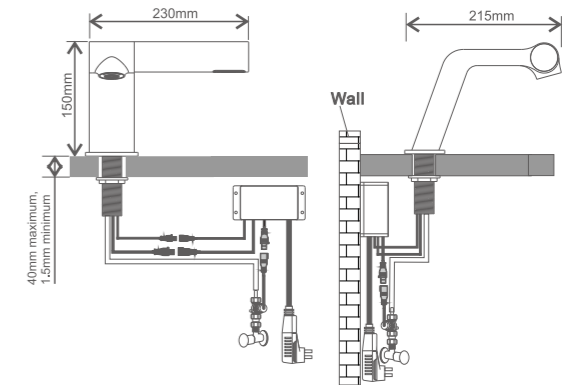
LGT201A

2-IN-1 TAP HAND DRYER

Model	Faucet Material	Inner Carton Dimensions(1piece)	Outer Carton Dimensions(2piece)	N.W	G.W
LGT201A	Copper	35X26.5X26.5(cm)	36.8X28.5X57(cm)	7.6kg	8.2kg



Chrome plated

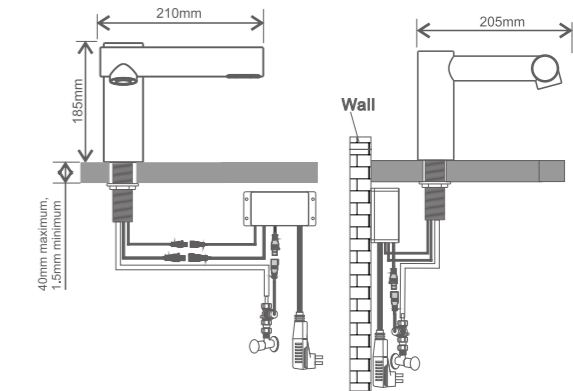


LGT202A

Model	Faucet Material	Inner Carton Dimensions(1piece)	Outer Carton Dimensions(2piece)	N.W	G.W
LGT202A	SS304	35X26.5X26.5(cm)	36.8X28.5X57(cm)	5.6kg	6.2kg



Brushed



Technical Parameter

- Input Power:220-240VAC/110V,50/60Hz
- Total Power:600W
- Operating Temperature Range:5-40°C
- Environment Humidity:≤80%
- Sensing Distance:3-12cm
- Air Speed:80m/s
- Drying Time:10-15s
- Max Drying Time:60s
- Motor:Digital Brushless DC Motor
- Starting System: Infrared Induction
- Unfitted Sink: Highly polished surfaces (This may cause self-induction)
- Operating Temperature Range:1-55°C
- Max Water Outlet Time:60s
- Inlet Connection:G1 /2"
- Water Pressure Required:1-8bar
- Opening Hole Diameter: φ 35mm
- Min Sink Depth:100mm
- Tap Dimersions:230WX150HX215D(mm/LGT201A)
- Tap Dimersions:210WX185HX205D(mm/LGT202A)
- Max Altitude:2000m
- Mounting: Deck Mounted

Customizable colors:



SOAP DISPENSER

Auto deck mounted soap dispenser has become a trend in construction projects. Users can have the soap and wash their hands without moving their hands out of the basin. This also simplifies the maintenance work because all water and soap goes into the basin. AC and DC models are both available depending on the accessibility to power in the washrooms.

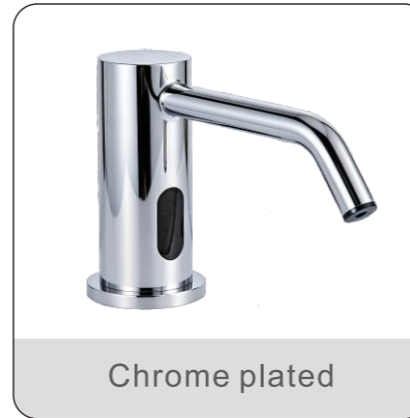
33



LGZ01A

SOAP DISPENSER

Model	Faucet Material	Inner Carton Dimensions(1piece)	Outer Carton Dimensions(10piece)	N.W	G.W
LGZ01A	Copper	42X16X10.5(cm)	43.5X34X53.5(cm)	11kg	11.5kg



Technical Parameter

- Input Power:110-240VAC,50/60Hz;DC6V
- Total Power: <5W
- Sensing Distance:3-8cm
- Starting System: Infrared Induction
- Capacity:1000ml/500ml
- Operating Temperature Range:5-40°C
- Environment Humidity: ≤80%
- Opening Hole Diameter: φ 25-35mm
- Mounting: Deck Mounted
- Liquid Output:1-1.5ml
- Unfitted Sink: Highly polished surfaces (This may cause self-induction)

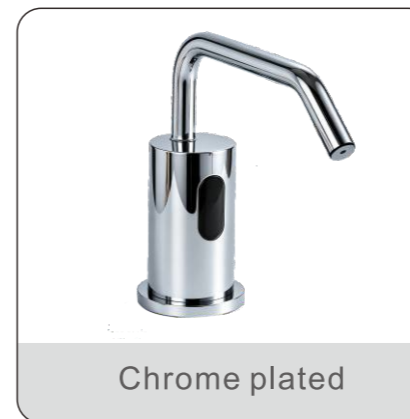
Customizable colors:



34

LGZ02A

Model	Faucet Material	Inner Carton Dimensions(1piece)	Outer Carton Dimensions(10piece)	N.W	G.W
LGZ02A	Copper	42X16X10.5(cm)	43.5X34X53.5(cm)	11kg	11.5kg



Technical Parameter

- Input Power:110-240VAC,50/60Hz;DC6V
- Total Power: <5W
- Sensing Distance:3-8cm
- Starting System: Infrared Induction
- Capacity:1000ml/500ml
- Operating Temperature Range:5-40°C
- Environment Humidity: ≤80%
- Opening Hole Diameter: φ 25-35mm
- Mounting: Deck Mounted
- Liquid Output:1-1.5ml
- Unfitted Sink: Highly polished surfaces (This may cause self-induction)

Customizable colors:



LGJZ01

SOAP DISPENSER

Model	Faucet Material	Inner Carton Dimensions(1piece)	Outer Carton Dimensions(10piece)	N.W	G.W
LGJZ01	SS304	42X16X10.5(cm)	43.5X34X53.5(cm)	15kg	15.5kg



Technical Parameter

- Input Power:110-240VAC,50/60Hz;DC6V
- Total Power: <5W
- Sensing Distance:3-8cm
- Starting System: Infrared Induction
- Capacity:1000ml/500ml
- Operating Temperature Range:5-40°C
- Environment Humidity: ≤ 80%
- Opening Hole Diameter: φ 25-35mm
- Mounting: Behind The Mirror
- Liquid Output:1-1.5ml
- Unfitted Sink: Highly polished surfaces (This may cause self-induction)

LGJZ02

SOAP DISPENSER

Model	Faucet Material	Inner Carton Dimensions(1piece)	Outer Carton Dimensions(10piece)	N.W	G.W
LGJZ02	SS304	42X16X10.5(cm)	43.5X34X53.5(cm)	11kg	11.5kg

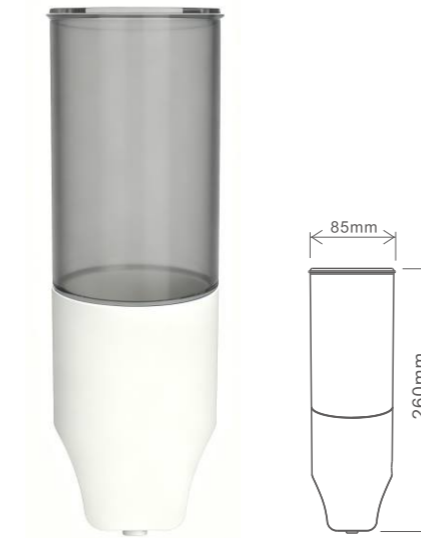


Technical Parameter

- Input Power:110-240VAC,50/60Hz;DC6V
- Total Power: <5W
- Sensing Distance:3-8cm
- Starting System: Infrared Induction
- Capacity:1000ml/500ml
- Operating Temperature Range:5-40°C
- Environment Humidity: ≤ 80%
- Opening Hole Diameter: φ 25-35mm
- Mounting: Behind The Mirror
- Liquid Output:1-1.5ml
- Unfitted Sink: Highly polished surfaces (This may cause self-induction)

LGJZ03A

SOAP DISPENSER

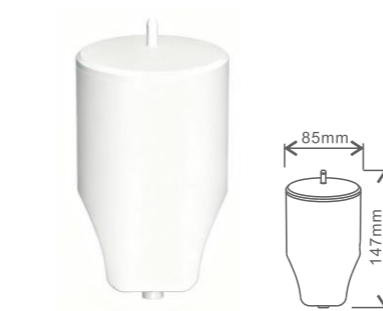


Technical Parameter

- Input Power:110-240VAC,50/60Hz;DC6V
- Total Power: <5W
- Sensing Distance:3-8cm
- Starting System: Infrared Induction
- Capacity:500ml
- Operating Temperature Range:5-40°C
- Environment Humidity: ≤ 80%
- Opening Hole Diameter: > φ 55mm
- Mounting: Behind The Mirror
- Liquid Output:1-1.5ml
- Unfitted Sink: Highly polished surfaces (This may cause self-induction)

LGJZ03B

SOAP DISPENSER



Technical Parameter

- Input Power:110-240VAC,50/60Hz;DC6V
- Total Power: <5W
- Sensing Distance:3-8cm
- Starting System: Infrared Induction
- Capacity:Not provided
- Operating Temperature Range:5-40°C
- Environment Humidity: ≤ 80%
- Opening Hole Diameter: > φ 55mm
- Mounting: Behind The Mirror
- Liquid Output:1-1.5ml
- Unfitted Sink: Highly polished surfaces (This may cause self-induction)

HAND DRYER

Brushed AC motor/brushless DC motor optional
 Brushed AC motor: high cost-effectiveness.
 Brushless DC motor: long lifespan and low noise.



MODEL: LGH100

- Input Power: 110/220-240VAC, 50/60Hz;
- Total Power: 1800W
- Sensing Distance: 3-12cm
- Starting System: Infrared Induction
- Air Speed: 90m/s
- Motor: Brush Motor/Brushless Motor
- Outer Carton Dimensions(2PCS): 75X37X60(cm)



MODEL: LGH300

- Input Power: 110/220-240VAC, 50/60Hz;
- Total Power: 1800W
- Sensing Distance: 3-12cm
- Starting System: Infrared Induction
- Air Speed: 90m/s
- Motor: Brush Motor/Brushless Motor
- Outer Carton Dimensions(2PCS): 62.5X35.5X51.5(cm)



MODEL: LGH400

- Input Power: 110/220-240VAC, 50/60Hz;
- Total Power: 1800W
- Sensing Distance: 3-12cm
- Starting System: Infrared Induction
- Air Speed: 90m/s
- Motor: Brush Motor/Brushless Motor
- Outer Carton Dimensions(2PCS): 62.5X35.5X51.5(cm)



MODEL: LGH500

- Input Power: 110/220-240VAC, 50/60Hz;
- Total Power: 1800W
- Sensing Distance: 3-12cm
- Starting System: Infrared Induction
- Air Speed: 90m/s
- Motor: Brush Motor/Brushless Motor
- Outer Carton Dimensions(2PCS): 62.5X35.5X51.5(cm)



MODEL: LGH30

- Input Power: 110/220-240VAC, 50/60Hz;
- Total Power: 1800W
- Sensing Distance: 3-12cm
- Starting System: Infrared Induction
- Air Speed: 90m/s
- Motor: Brush Motor



MODEL: LGH31

- Input Power: 110/220-240VAC, 50/60Hz;
- Total Power: 1800W
- Sensing Distance: 3-12cm
- Starting System: Infrared Induction
- Air Speed: 90m/s
- Motor: Brush Motor

HAND SANITIZER DISPENSER



MODEL: LGX01

- Input Power: 110/220-240VAC, 50/60Hz;
- Total Power: <25W
- Sensing Distance: 3-12cm
- Starting System: Infrared Induction
- Liquid Output: 0.5-5ml
- Capacity: 3000ml
- Outer Carton Dimensions(2PCS): 36X25X49.5(cm)



MODEL: LGX02

- Input Power: 110/220-240VAC, 50/60Hz;
- Total Power: <25W
- Sensing Distance: 3-12cm
- Starting System: Infrared Induction
- Liquid Output: 0.5-5ml
- Capacity: 3000ml
- Outer Carton Dimensions(2PCS): 36X25X49.5(cm)

LGC01

BABY CHANGING STATION



MODEL: LGC01

- Material: HDPE
- Dimensions:
- Open: 855X510X580(mm)
- Closed: 855X580X110(mm)
- Outer Carton Dimensions(1PCS): 90X12X59(cm)